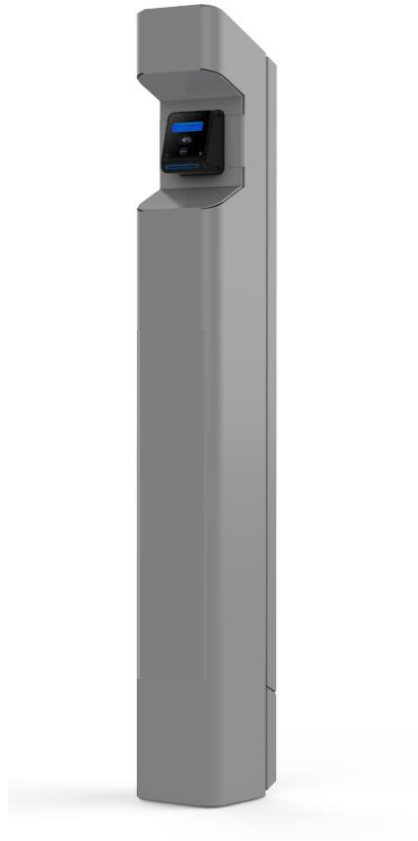


EMV Chip Reader Pedestal

Specifications and Ordering Information



The Express Chip Pedestal is an ancillary terminal that works directly with the Express Plus Power Link DC fast charger to enable credit card chip reading capability when required by law.

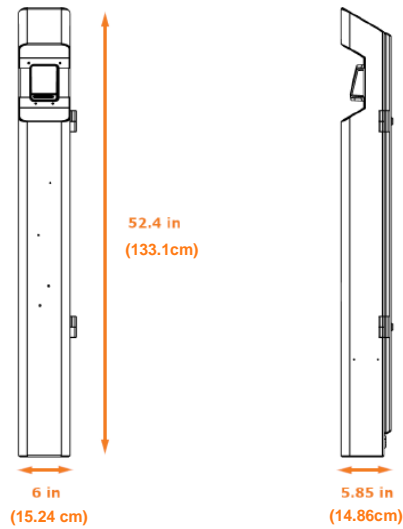
Ordering Information

The order codes below represent specific product configurations. Other product options are available. Please contact ChargePoint Sales for information and order codes.

Hardware

Description		Order Code
New Express Plus Power Link sites	Express Plus Power Link PL1000 series, North America, DC Station, 1x CCS1 350A 4.5m cable, 1 Holster, 2.4m Cable management kit, Pedestal, 200mm (8") Touch Display, ChargePoint signage, Contactless credit card and RFID reader, Cellular/WiFi, UL listed, Single input, 1 year warranty. Includes EMV Chip Reader terminal and pedestal kit. Requires at least one Power Block with Power Modules	EXPP-PL1011B-5A1S1-CHIP-PD
	Express Plus Power Link PL1000 series, North America, DC Station, 1x CCS1 350A 4.5m cable, 1x CHAdeMO 200A 4.5m cable, 2 Holsters, 2.4m Cable management kit, Pedestal, 200mm (8") Touch Display, ChargePoint signage, Contactless credit card and RFID reader, Cellular/WiFi, UL listed, Single input, 1 year warranty. Includes EMV Chip Reader terminal and pedestal kit. Requires at least one Power Block with Power Modules	EXPP-PL1021B-5A1S1-2A3S1-CHIP-PD
Sites with existing Express Plus Power Link	EMV Chip Reader terminal and pedestal. Does not include an Express Plus Power Link station	PAYMENT-PEDESTAL-CHIP-PD
Replacement Unit	Field replaceable EMV Chip Reader. Does not include Pedestal.	PAYMENT-READER-P68-CHIP-PD-F
Warranty	Included with Express Plus Power Link.	N/A
Software	Included with Express Plus Power Link.	N/A

Architectural Drawings (Dimensions)



General Specifications

Electrical

Power Input Rating	120 VAC Wiring can be a dedicated circuit run from the panel or derived from 480 VAC to 120 VAC step down transformer from the local disconnect switch.
Amperage	0.5A

Functional Interfaces

Card Reader	EMV chip reader
Cellular	4G Modem

Safety and Operational Ratings

Safety and Compliance	MET listed
Storage Temperature	-15°C - 70°C
Operating Temperature	-10°C - 50°C

ChargePoint EMV Chip Reader Pedestal Datasheet

Generic Specifications

Enclosure Dimensions	W (6" or 15.24 cm) X L (52.4" or 133.1cm) X D (5.85" or 14.86cm)
Shipping Dimensions	60" x 11" x 10" (1.52 x 0.28 x 0.25 m)
Weight	22 lb (9.98 kg)
Station Enclosure Rating	IP54
Mounting	Bottom or rear conduit entry points. Installed on existing concrete surface.
Conduit	Underground or surface

ChargePoint, Inc. reserves the right to alter product offerings and specifications at any time without notice, and is not responsible for typographical or graphical errors that may appear in this document.



Contact Us

Visit chargepoint.com

Email sales@chargepoint.com

Copyright © 2022 ChargePoint, Inc. All rights reserved. CHARGEPOINT is a U.S. registered trademark/service mark, and an EU registered logo mark of ChargePoint, Inc. All other products or services mentioned are the trademarks, service marks, registered trademarks or registered service marks of their respective owners. December 2022.